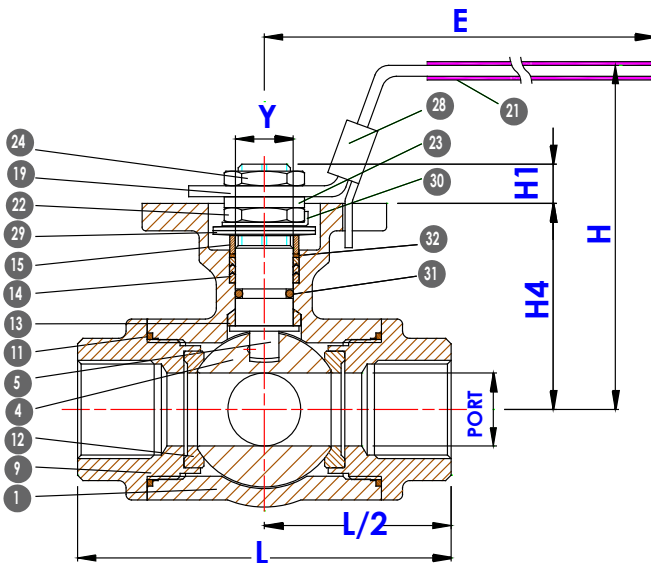
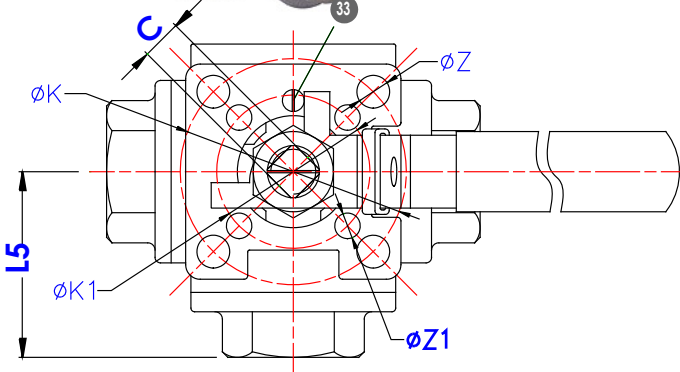




MODEL: BT-L(T)AH

Three-Way Reduce Port Screwed Ends 3-Way Ball Valve 1000PSI,ISO 5211 Direct Mounting Pad



TURN \ PORT	0°	90°	180°	270°
T				
L				

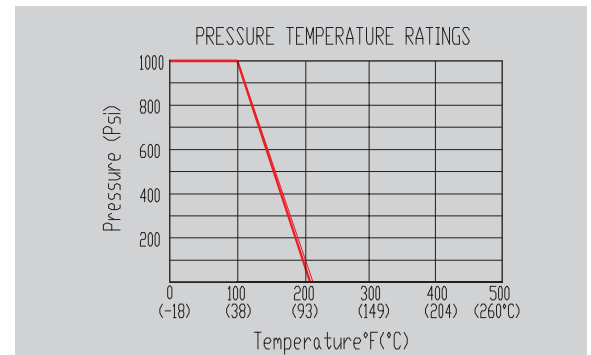
FEATURES :

1. BODY AND END CAPS QUALITY INVESTMENT CASTING
2. ADJUSTABLE STEM PACKING
3. BLOW-OUT-PROOF STEM DESIGN
4. AVAILABLE IN CARBON OR STAINLESS STEEL BODY
5. FLOATING BALL
6. LOCKING LEVER HANDLE AVAILABLE
7. THREADS CONFORM TO ANSI B1.20.1, BS21, DIN259, DIN2999
8. L PORT OR T PORT AVAILABLE 360° POTARY HANDLE

MATERIAL LIST :

NO	PART NAME	MATERIAL
1	BODY	ASTM A351 Gr.CF8M
4	BALL	ASTM A351 Gr.CF8M
5	STEM	SS316
9	CAP	ASTM A351 Gr.CF8M
11	BODY SEAL	PTFE.
12	SEAT	PTFE.
13	THRUST WASHER	RTFE.
14	STEM PACKING	RTFE.
15	GLAND BUSH	SS304
19	HANDLE	SS304
21	HANDLE COVER	PLASTIC
22	STEM NUT	SS304
23	HANDLE WASHER	SS304
24	HANDLE NUT	SS304
28	LOCKING PAD	SS304
29	BELLEVEILLE WASHER	SUS301
30	STOP WASHER	SS304
31	O-RING	VITON
32	PACKING FOLLOWER	PTFE.+25%GF
33	STOP PIN	SS304

PRESSURE TEMPERATURE RATINGS



DIMENSIONS :

SIZE	PORT	L	L5	E	H	H1	H4	C	Y	K	F04	K1	Z	Z1
DN8	1/4"	11.0	75.7	37.3	112.0	77.5	9.0	38.2	9.0	12.0	42.0	F04	6.0	6.0
DN10	3/8"	11.0	75.7	37.3	112.0	77.5	9.0	38.2	9.0	12.0	42.0	F04	6.0	6.0
DN15	1/2"	12.7	75.7	37.3	112.0	77.5	9.0	38.2	9.0	12.0	42.0	F04	6.0	6.0
DN20	3/4"	16.0	86.6	44.7	112.0	82.0	9.0	45.2	9.0	12.0	42.0	F04	6.0	6.0
DN25	1"	20.0	102.4	51.4	136.5	93.7	11.0	56.5	11.0	15.8	50.0	F05	7.1	7.1
DN32	1-1/4"	25.0	118.2	57.7	188.0	101.1	11.0	61.9	11.0	15.8	50.0	F05	7.1	7.1
DN40	1-1/2"	32.0	125.8	62.7	197.5	120.3	14.3	78.3	14.0	20.8	70.0	F07	9.2	7.1
DN50	2"	38.1	149.0	74.6	197.5	129.9	14.0	87.4	14.0	20.8	70.0	F07	9.2	7.1

UNIT:MM