

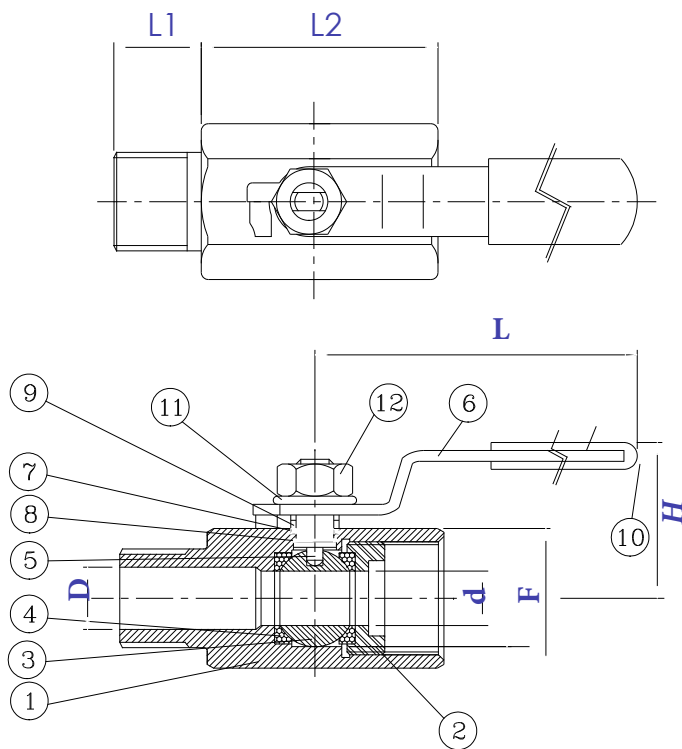


MODEL: BT-1A

Two-Piece Reduce Port Screwed Ends Ball Valve 1000PSI F/M ENDS

FEATURES :

1. FOR GOOD AND GENERAL CHEMICAL SERVICE APPLICATION
2. ADJUSTABLE STEM PACKING
3. BLOW-OUT-PROOF STEM DESIGN
4. BODY AND END CAPS QUALITY INVESTMENT CASTING
5. AVAILABLE IN CARBON OR STAINLESS STEEL BODY CONSTRUCTION
6. FLOATING BALL
7. LOCKING LEVER HANDLE AVAILABLE
8. THREADS CONFORM TO ANSI B1.20.1, BS20, DIN259, DIN2999
9. WORKING PRESSURE: 1/4"~3/4" 1000PSI W.O.G.
- 10.FEMALE / MALE ENDS



NO	PART'S NAME	MATERIAL
1	BODY	A351-CF8M
2	SEAT RETAINER	A351-CF8M
3	BALL	A351-CF8M
4	SEAT	PTFE
5	STEM	ASTM A276-316
6	HANDLE	AISI 304
7	STEM PACKING	PTFE
8	THRUST WASHER	PTFE
9	GLAND RING	AISI 304
10	HANDLE COVER	PVC
11	SPRING WASHER	AISI 304
12	GLAND NUT	AISI 304

TEST PRESSURE :

UNIT : PSI

TYPE	PRESSURE
SHELL TEST (WATER)	1500
SEAT TEST (WATER)	1100
SEAT TEST (AIR)	85

DIMENSIONS:

UNIT : mm

SIZE	1/4"	3/8"	1/2"	1/4"*1/2"
d	5.0	6.8	9.2	9.2
D	8.1	11.6	14.5	7.8
F	16.0	20.5	24.5	24.5
H	27	29	35	35
L1	12.0	14.9	17.0	12.0
L2	35.0	35.7	42.0	42.0
L	71	81	85	85

PRESSURE TEMPERATURE RATING :

